

# Intellian

## C700

IRIDIUM CERTUS®  
Maritime Terminal



### FEATURES

#### THE MOST POWERFUL IRIDIUM CERTUS TERMINAL AVAILABLE

The Intellian C700 uses the most powerful 12 patch phased-array antenna to deliver the highest performing and most reliable Certus® terminal, especially at low angles of elevation, which is critical in a maritime environment. The C700 provides the highest IP data speeds of up to 704 Kbps, and the H2 class high power amplifier supports uplink data speeds up to 352 Kbps as standard. Customers will gain both scalability and advanced performance over the Certus network whenever needed.

#### BEST-IN-CLASS FEATURES AND VALUE

The C700 delivers unparalleled features and value to users at both a technology and operational level. The C700 offers a variety of features such as three high-quality voice lines, a built-in firewall, 3G/LET WAN port, and soft PABX. These technical capabilities and GMDSS readiness make it ideal for both vessel operations and crew welfare services. It's easy to install and simple configuration, combined with Intellian's ability to ship from global logistic centers provides a lower cost of shipment and installation for customers and increased flexibility. The industry leading 3 year warranty policy and global service partners provide customers with reassurance and dependable communications wherever they operate.

#### A PERFECT VSAT COMPANION SOLUTION

Intellian is the No. 1 maritime VSAT manufacturer and global market leader. All Intellian C700 terminals are optimized as VSAT companion devices and can be delivered as a turnkey solution with a rack mount version available. The combination of Intellian's innovative VSAT Ku-band products, including the NX Series and the C700 system provide access to the most advanced and reliable connectivity products available.

The C700 capabilities provide a more seamless connection and user experience when switching from VSAT. The Aptus platform provides advanced management and control for remote support and diagnostics, including easy to use API's, making it ideal as a VSAT out-of-band management solution.

#### SYSTEM HIGHLIGHTS

- The most powerful 12 element patch phased-array antenna
- H2 antenna amplifier for 352 Kbps uplink service
- Excellent low elevation angle performance handling heavy ship motion
- Easy installation and simple configuration
- Single coaxial cable antenna connection
- Built-in firewall and user threat management
- GMDSS ready
- Three simultaneous high quality voice lines
- 4-Port Ethernet (LAN) PoE and WAN
- Connection up to 16 SIP phones with Soft PBX function
- Designed for minimum 10-year operational lifetime
- 3 year global warranty - parts and labor

# C700 New Iridium Certus® Terminal for Iridium®

## IRIDIUM SERVICES

Voice	3 simultaneous HD voice lines
IP Data (Background)	<b>Uplink:</b> up to 352 Kbps / <b>Downlink:</b> up to 704 Kbps
IP Streaming	<b>Uplink/Downlink:</b> up to 256 Kbps
Short Burst Data	Yes

## PHYSICAL

ADU Dimensions	370 x 270 mm / 14.5" x 11.0"
ADU Weight	7.3 kg / 16 lb
BDU Dimensions	280 x 190 x 41 mm / 11" x 7.2" x 1.45"
BDU Weight	1.2 kg (stand-alone type) / 2.6 lb

## POWER

DC Input	10.8 ~ 30 V DC
Power (max)	120 W

## RF / ANTENNA

Tx Frequency	1616 MHz ~ 1626.0 MHz
Rx Frequency	1616 MHz ~ 1626.5 MHz
Antenna Gain	HGA 2 Class
Antenna Connectors	TNC female (ADU) – TNC female (BDU)
GNSS	GPS, GLONAS, Galileo
Wi-Fi	802.11 b/g

## APPROVAL

Certification	CE/RED, FCC
---------------	-------------

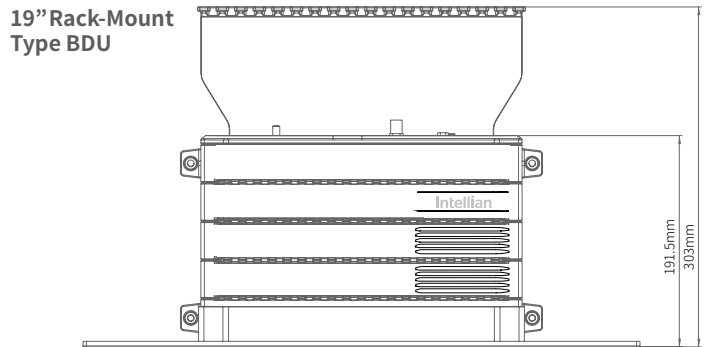
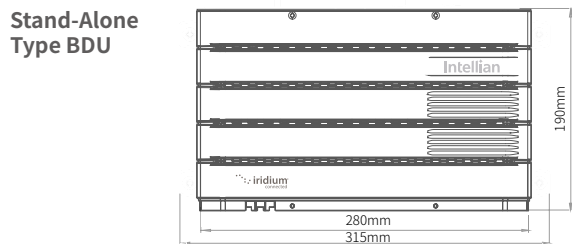
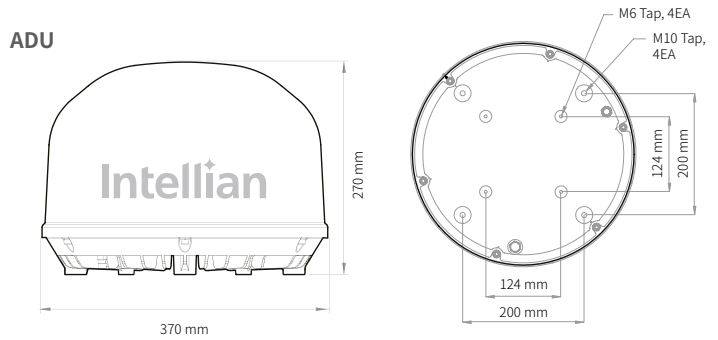
## ENVIRONMENTAL CONDITIONS

Operating Temp. range	<b>ADU:</b> -25°C ~ + 55°C, <b>BDU:</b> -15°C ~ + 55°C
Operating Humidity range	More than 95%
Water Ingress	<b>ADU:</b> IP56, <b>BDU:</b> IP31
Shock & Vibration	<b>Shock:</b> IEC60068-2-27 (operation), IEC60721-3-6 Class 6M3 (survival)
	<b>Vibration:</b> IEC60945 (operation), IEC60721-3-6 Class 6M3 (survival)

## I/O

LAN	3 x RJ45 (2 PoE)
WAN	1 x RJ45
Analog Phone	1 x RJ14 (2 x Analog Phone)
Wireless	1 Wi-Fi (SMA RP)
I/O	10 pin GPIO
Etc.	SIM, Reset, On/Off, Ground

## SYSTEM DIMENSION



## SYSTEM DIAGRAM



### Global HQ

Innovation Center  
Intellian Technologies, Inc  
T +82 31 379 1000 F +82 31 377 6185

### APAC

Seoul  
Intellian Technologies, Inc.  
T +82 2 511 2244 F +82 2 511 2235

### Americas

Irvine  
Intellian Technologies USA, Inc.  
T +1 949 727 4498 F +1 949 271 4183  
Toll Free +1 888-201-9223

### EMEA

Rotterdam  
Intellian B.V.  
T +31 1 0820 8655 F +31 1 0820 8656